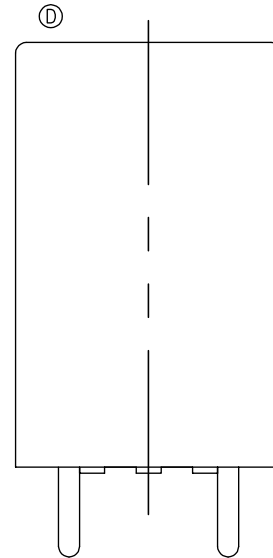
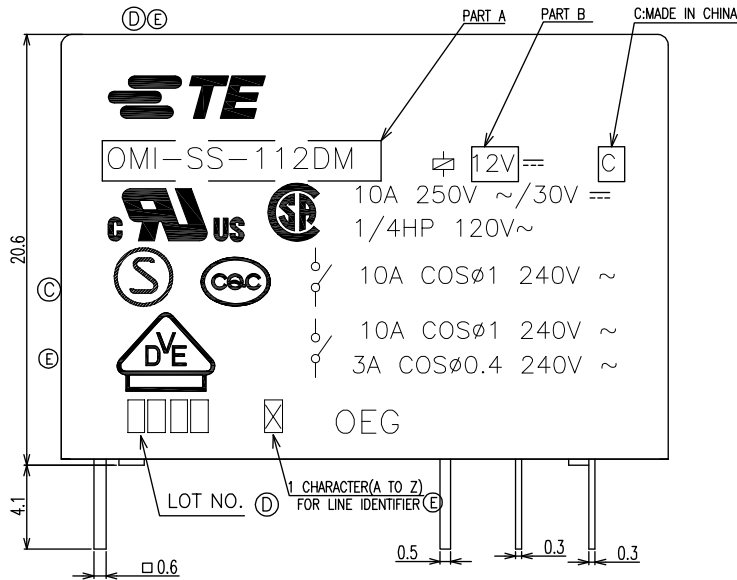
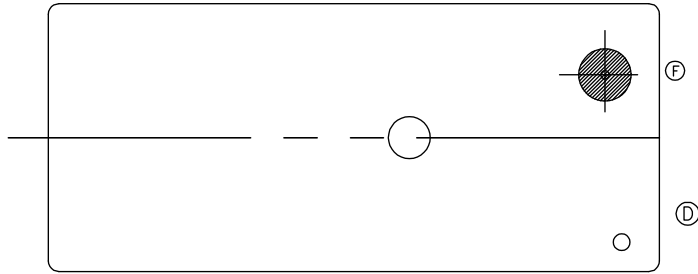
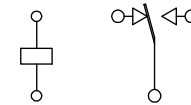


THIS DRAWING IS UNPUBLISHED. RELEASED FOR PUBLICATION -,-  
 © COPYRIGHT - By - ALL RIGHTS RESERVED.

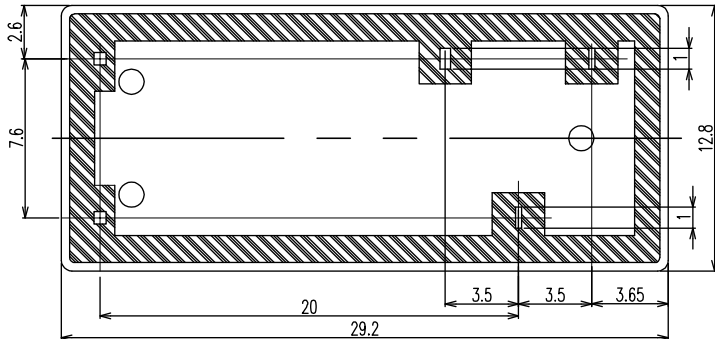
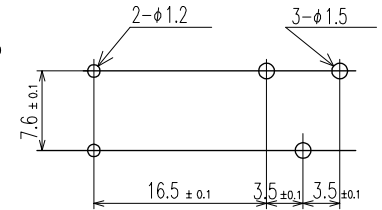
| P | LTR | DESCRIPTION   | DATE      | DWN  | APVD |
|---|-----|---|-----------|------|------|
|   |     |   |           |      |      |
| E |     | CHANGE LODO, VENT HOLE; ADD CQC, LINE IDENTIFIER, PLATING THICKNESS ECO-12-005725 | 20AUG12   | D.L  | BH.Y |
| F |     | CHANGE THE VENT HOLE SHAPE FROM RECTANGLE TO CIRCLE ONE ECO-13-015347             | 16-DEC-13 | XL,Y | B,F  |



CONNECTION DIAGRAM (BOTTOM VIEW)



DRILLING DIAGRAM(2/1) (BOTTOM VIEW)

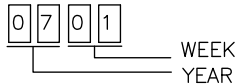


|   |        |                  |                             |                    |                             |               |
|---|--------|------------------|-----------------------------|--------------------|-----------------------------|---------------|
| THIS DRAWING IS A CONTROLLED DOCUMENT.                                |        | DWN<br>H.SASAKI  | TE Connectivity             |                    |                             |               |
| DIMENSIONS:<br>mm   |        | CHK<br>Y.OIKAWA  |                             |                    |                             | NAME          |
| TOLERANCES UNLESS OTHERWISE SPECIFIED:                                |        | APVD<br>A.NAGAI  | PRODUCT SPEC                |                    |                             |               |
| 0 PLC ±-<br>1 PLC ±-<br>2 PLC ±-<br>3 PLC ±-<br>4 PLC ±-<br>ANGLES ±- |        | APPLICATION SPEC | OMI-1T 300 CUSTOMER DRAWING |                    |                             |               |
| MATERIAL  | FINISH | WEIGHT           | SIZE<br>A3                  | CAGE CODE<br>00779 | DRAWING NO<br>C=3-1440000-4 | RESTRICTED TO |
| CUSTOMER DRAWING  |        |                  | SCALE<br>4:1                | SHEET<br>1 of 2    | REV<br>F                    |               |

THIS DRAWING IS UNPUBLISHED. RELEASED FOR PUBLICATION  
 © COPYRIGHT - By - ALL RIGHTS RESERVED.

| LOC | DIST | REVISIONS |     |             |      |     |      |
|-----|------|-----------|-----|-------------|------|-----|------|
| HB  | -    | P         | LTR | DESCRIPTION | DATE | DWN | APVD |
|     |      |           |     |             |      |     |      |

NOTES:  
 1.-SH- : WASHABLE TYPE  
 2.LOT NO. SYSTEM AS FOLLOWING:



3.GENERAL TOLERANCE AS FOLLOWING:

| TOLERANCE  |      |
|------------|------|
| 0~0.99mm   | ±0.1 |
| 1mm~2.99mm | ±0.2 |
| 3mm MIN.   | ±0.3 |

④⑤ 4.FOR THE TIN-PLATING OF THE PINS:  
 +0.1mm FOR WIDTH,THICKNESS AND DIAMETER.  
 +0.5mm FOR LENGTH.

| 4-1440000-5 | OMI-SH-148L | 48V    | OMI-SH-148L |
|-------------|-------------|--------|-------------|
| 4-1440000-2 | OMI-SH-124D | 24V    | OMI-SH-124D |
| 3-1440000-5 | OMI-SH-105L | 5V     | OMI-SH-105L |
| 3-1440000-4 | OMI-SH-105D | 5V     | OMI-SH-105D |
| PART NO     | DESCRIPTION | PART B | PART A      |

RELAY TYPE

|                  |            | UV RESIN    | UV SEAL            | 18   |
|------------------|------------|-------------|--------------------|------|
|                  |            | EPOXY RESIN | SEAL               | 17   |
| UL94 V-0         |            | PBT         | CASE               | 16   |
|                  |            | -           | TAPE               | 15   |
| CLASS E          |            | UEW         | MAGNETIC WIRE      | 14   |
| UL94 V-0         |            | PET         | BASE               | 13   |
| UL94 V-0         |            | PBT         | BOBBIN             | 12   |
|                  | SOLDER DIP | CP WIRE     | COIL TERMINAL      | 11   |
| UL94 V-0         |            | PPS         | CARD               | 10   |
|                  |            | Ag ALLOY    | MOVABLE CONTACT    | 9    |
|                  |            | Ag ALLOY    | STATIONARY CONTACT | 8    |
|                  |            | Cu ALLOY    | HINGE SPRING       | 7    |
|                  | SOLDER DIP | Cu ALLOY    | B TERMINAL         | 6    |
|                  | SOLDER DIP | Cu ALLOY    | M TERMINAL         | 5    |
|                  | SOLDER DIP | Cu ALLOY    | MOVABLE SPRING     | 4    |
|                  |            | STEEL       | CORE               | 3    |
|                  |            | STEEL       | ARMATURE           | 2    |
|                  |            | STEEL       | YOKE               | 1    |
| INCOMBUSTIBILITY | TREATMENT  | MATERIAL    | DESCRIPTION        | ITEM |

|  |   |                  |                  |                             |               |               |
|--|---|------------------|------------------|-----------------------------|---------------|---------------|
| THIS DRAWING IS A CONTROLLED DOCUMENT. |   | DWN<br>H.SASAKI  |                  |                             |               |               |
| DIMENSIONS:<br>mm                      |   | CHK<br>Y.OIKAWA  |                  |                             |               |               |
|  | TOLERANCES UNLESS OTHERWISE SPECIFIED:<br>0 PLC ± -<br>1 PLC ± -<br>2 PLC ± -<br>3 PLC ± -<br>4 PLC ± -<br>ANGLES ± - | APVD<br>A.NAGAI  | NAME             |                             |               |               |
|  |   | MATERIAL         | FINISH           | OMI-1T 300 CUSTOMER DRAWING |               |               |
|  |   | PRODUCT SPEC     | SIZE             | CAGE CODE                   | DRAWING NO    | RESTRICTED TO |
|  |   | APPLICATION SPEC | A3               | 00779                       | C=3-1440000-4 | -             |
|  |   | WEIGHT           | CUSTOMER DRAWING |                             |               | SCALE 4:1     |
|  |   |                  |                  |                             |               | SHEET 2 of 2  |
|  |   |                  |                  |                             |               | REV F         |